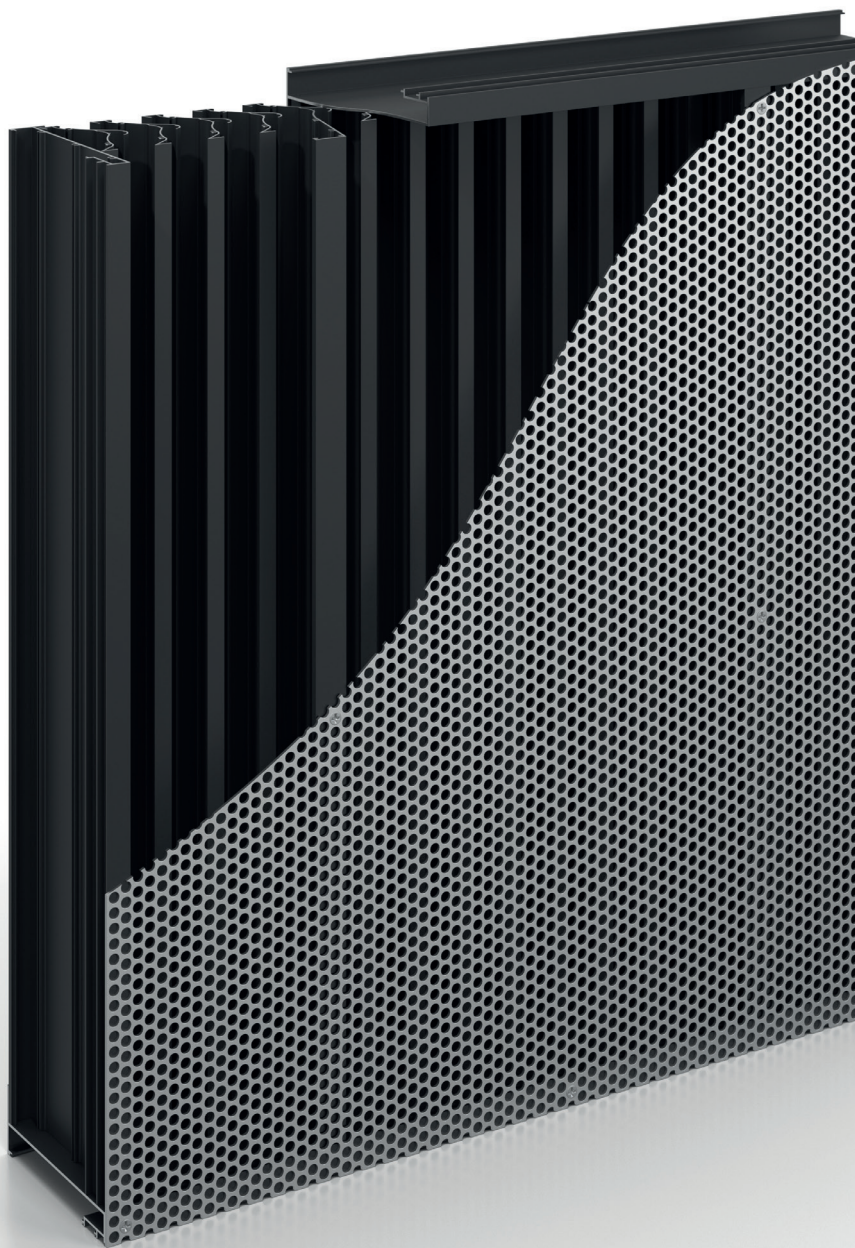


Rain Defence Louvres

PL-5700 | Technical Datasheet

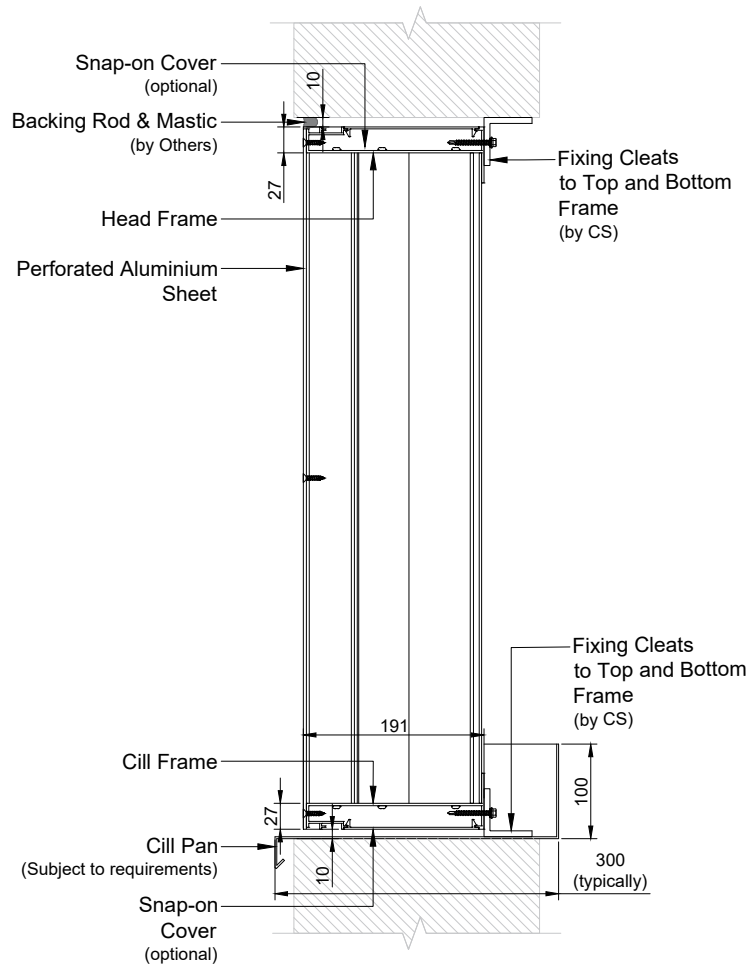


www.c-sgroup.co.uk/19021

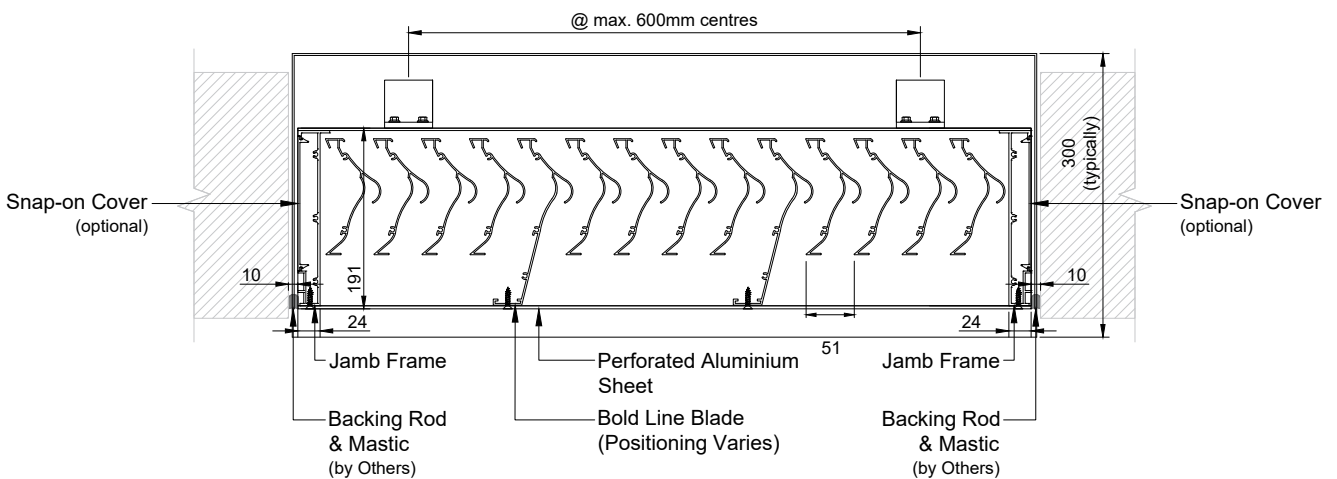
Rain Defence Louvres

PL-5700 | Technical Datasheet


STANDARD DETAIL



SECTION ON ELEVATION (1:8 @A4)



PLAN VIEW (1:8 @A4)

 www.c-sgroup.co.uk/19021

All dimensions in millimeters unless otherwise stated. Do not scale from the drawing.

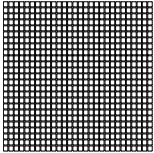
Rain Defence Louvres

PL-5700 | Technical Datasheet

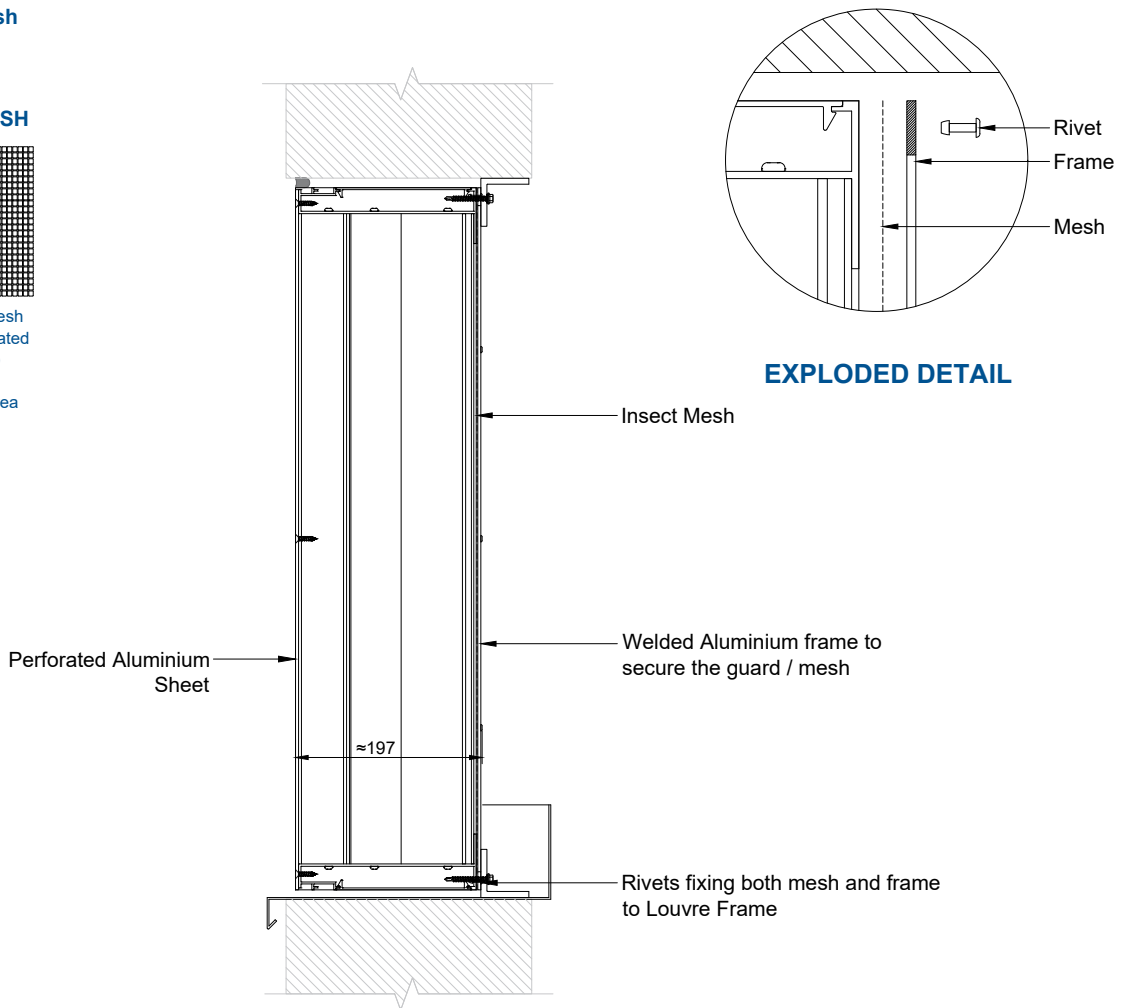
STANDARD DETAIL

With Insect Mesh

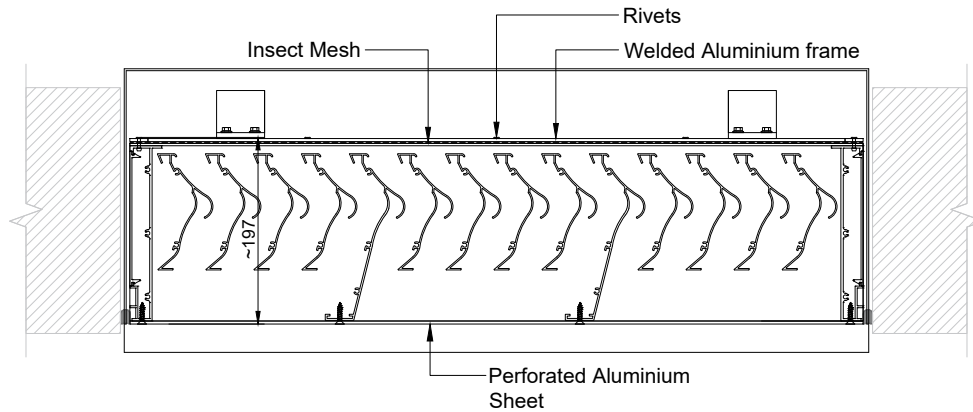
INSECT MESH



Fiberglass Mesh
Black PVC coated
(1:2 @A4)
LV-1008
72% Free Area



SECTION ON ELEVATION (1:8 @A4)



PLAN VIEW (1:8 @A4)

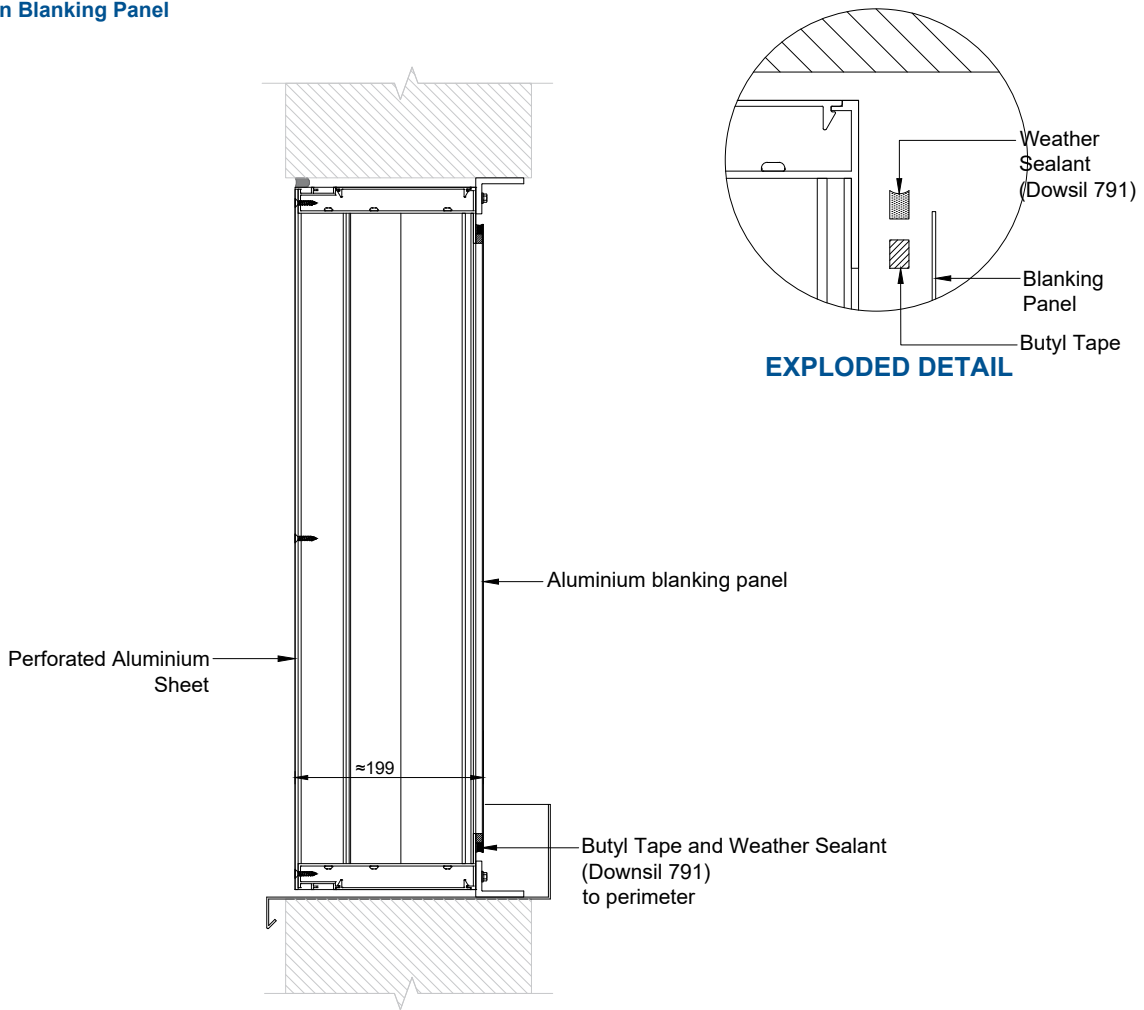
All dimensions in millimeters unless otherwise stated. Do not scale from the drawing.

Rain Defence Louvres

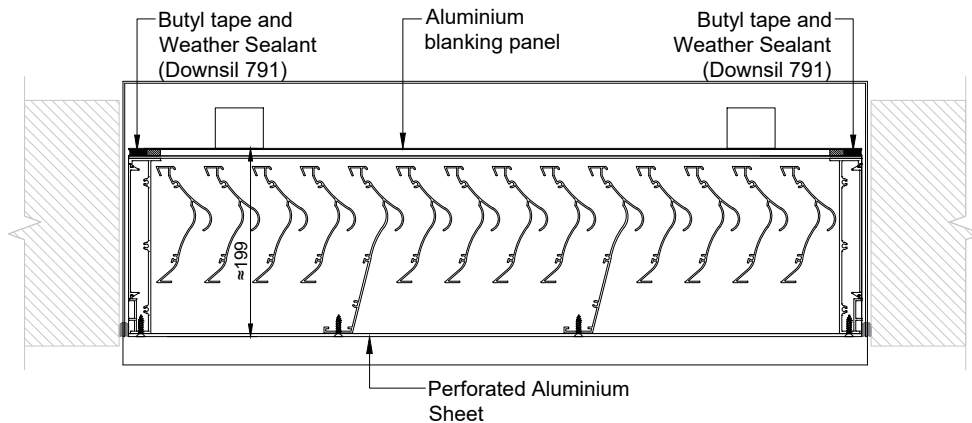
PL-5700 | Technical Datasheet

STANDARD DETAIL

With Single Skin Blanking Panel



SECTION ON ELEVATION (1:8 @A4)



PLAN VIEW (1:8 @A4)

All dimensions in millimeters unless otherwise stated. Do not scale from the drawing.

Rain Defence Louvres

PL-5700 | Technical Datasheet

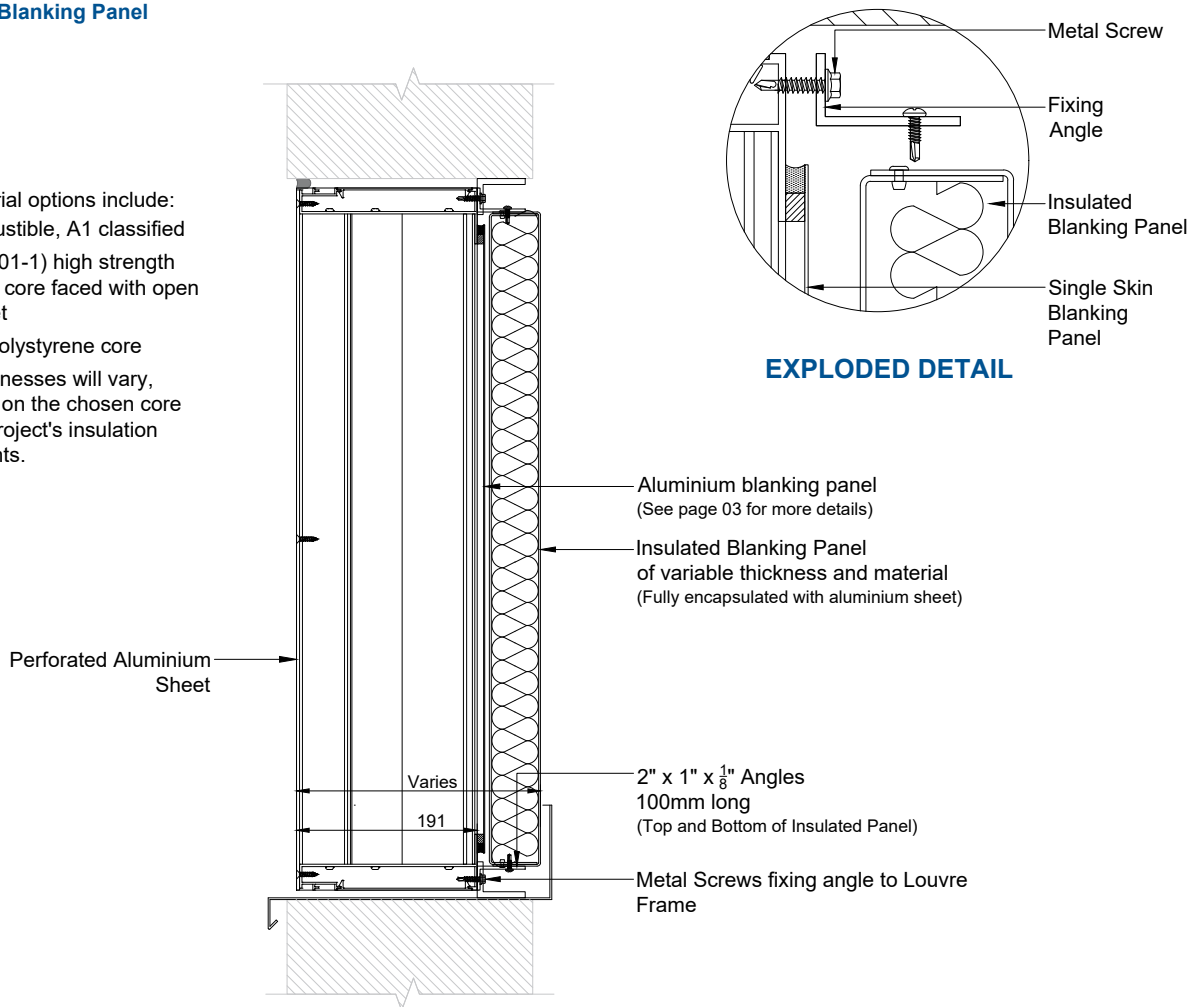
STANDARD DETAIL

With Insulated Blanking Panel

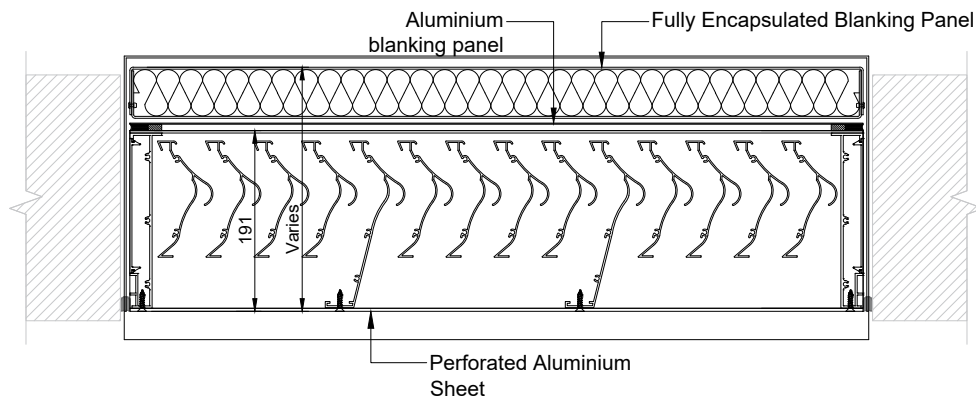
NOTE:

Insulation material options include:

- Non-combustible, A1 classified (to EN 13501-1) high strength stone wool core faced with open filament net
 - Extruded polystyrene core
- Panel thicknesses will vary, depending on the chosen core type and project's insulation requirements.



SECTION ON ELEVATION (1:8 @A4)



PLAN VIEW (1:8 @A4)

All dimensions in millimeters unless otherwise stated. Do not scale from the drawing.

Rain Defence Louvres

PL-5700 | Technical Datasheet

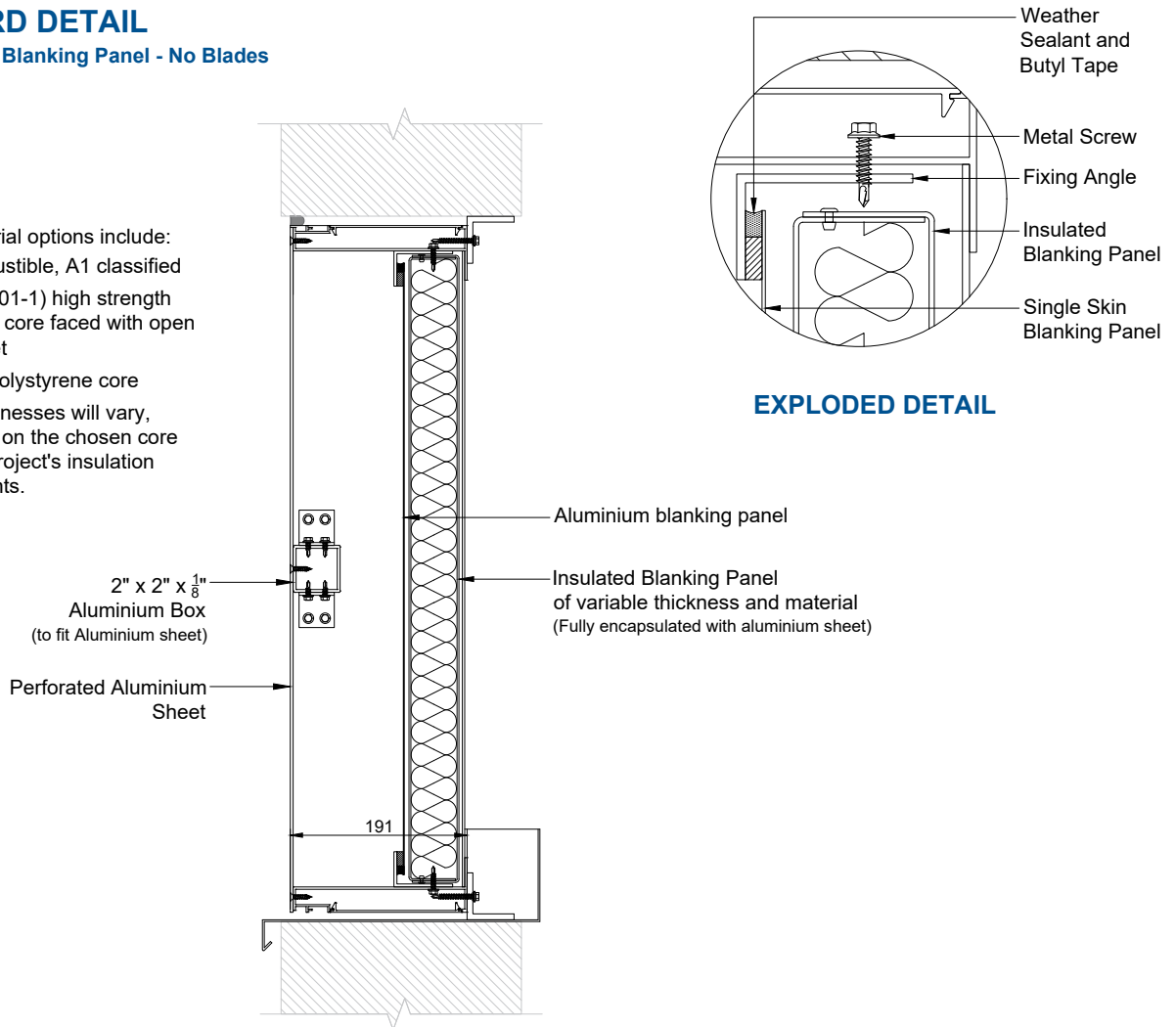
STANDARD DETAIL

With Insulated Blanking Panel - No Blades

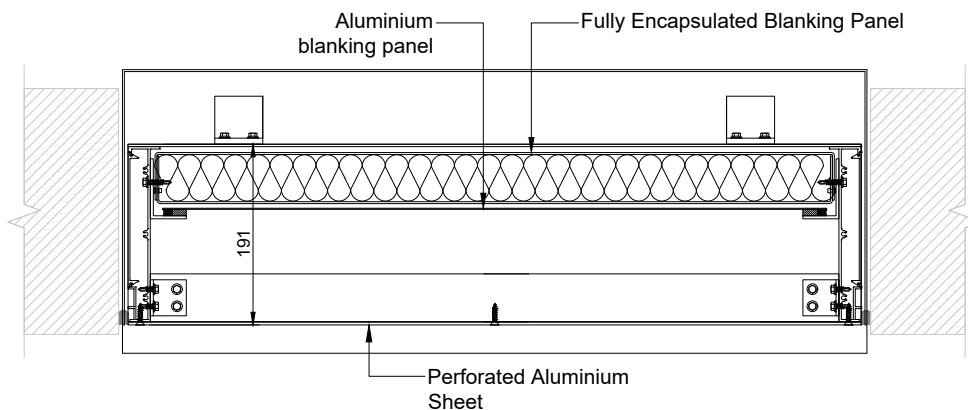
NOTE:

Insulation material options include:

- Non-combustible, A1 classified (to EN 13501-1) high strength stone wool core faced with open filament net
 - Extruded polystyrene core
- Panel thicknesses will vary, depending on the chosen core type and project's insulation requirements.



SECTION ON ELEVATION (1:8 @A4)



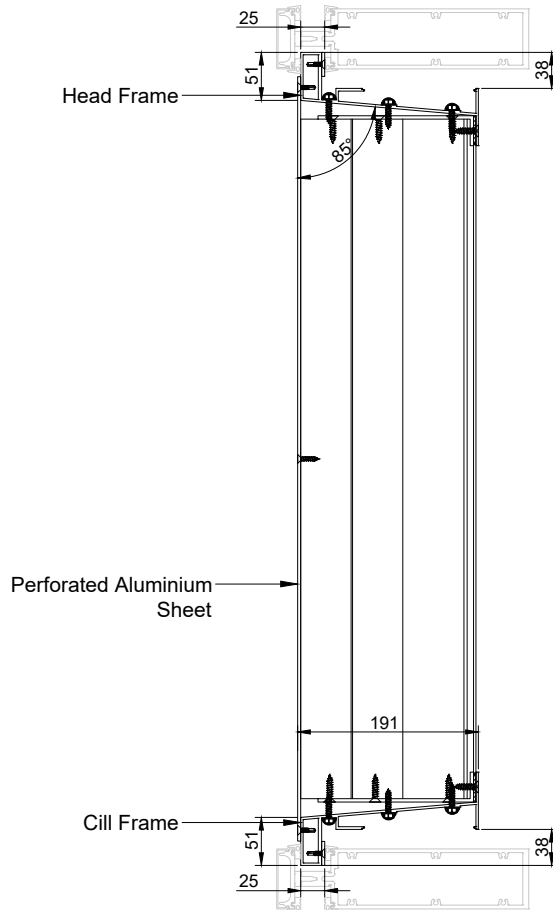
PLAN VIEW (1:8 @A4)

All dimensions in millimeters unless otherwise stated. Do not scale from the drawing.

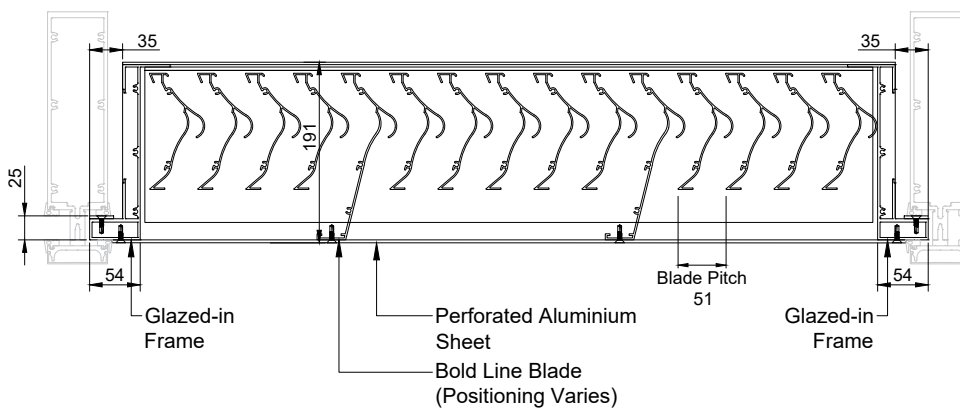
Rain Defence Louvres

PL-5700 | Technical Datasheet

25MM GLAZED-IN DETAIL



SECTION ON ELEVATION (1:8 @A4)



PLAN VIEW (1:8 @A4)

NOTE: Glazed-in louvres are supplied with Black Dowsil 791 Weatherproofing Silicone Sealant applied to seal all fixings and joints around the perimeter frame at the rear.

All dimensions in millimeters unless otherwise stated. Do not scale from the drawing.

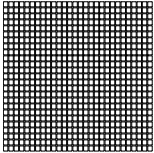
Rain Defence Louvres

PL-5700 | Technical Datasheet

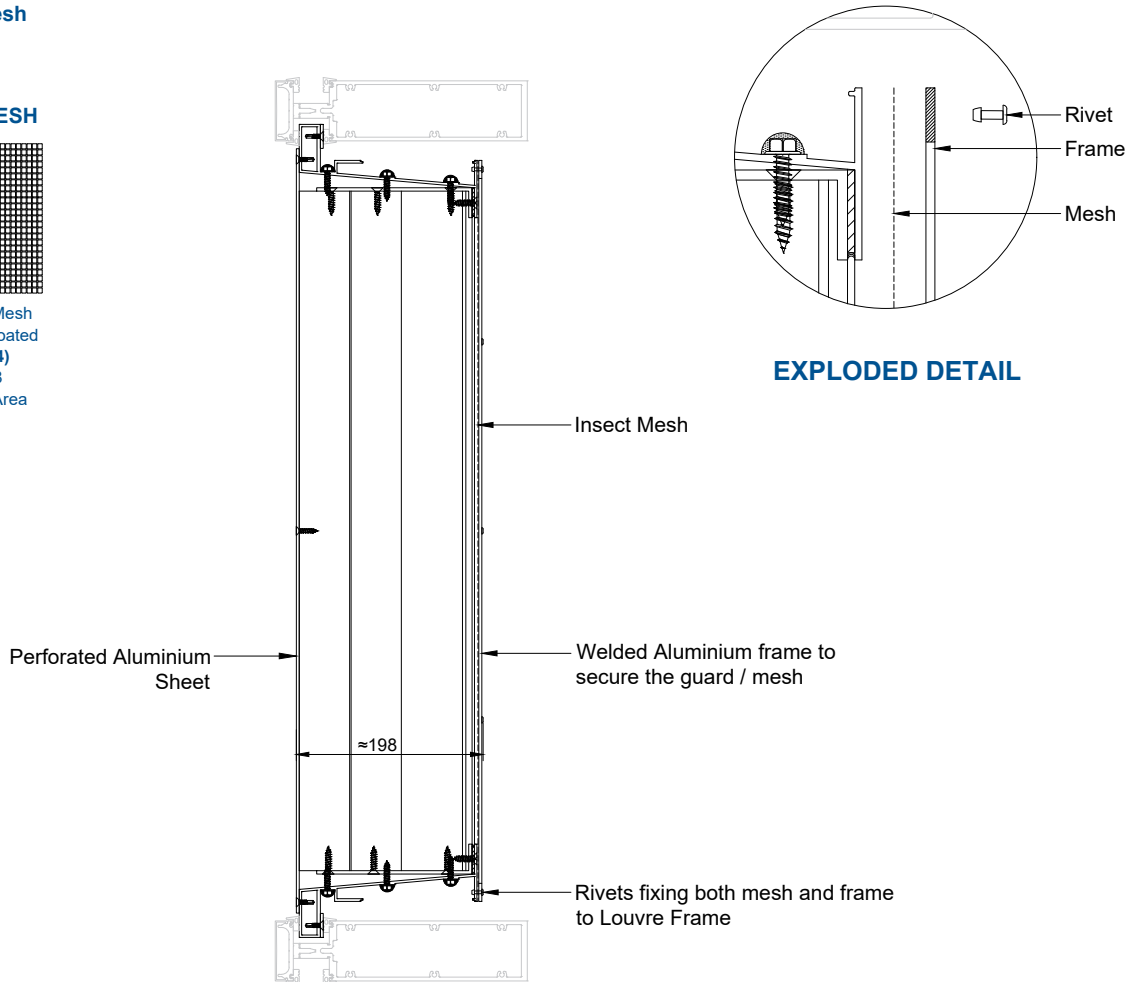
25MM GLAZED-IN DETAIL

With Insect Mesh

INSECT MESH

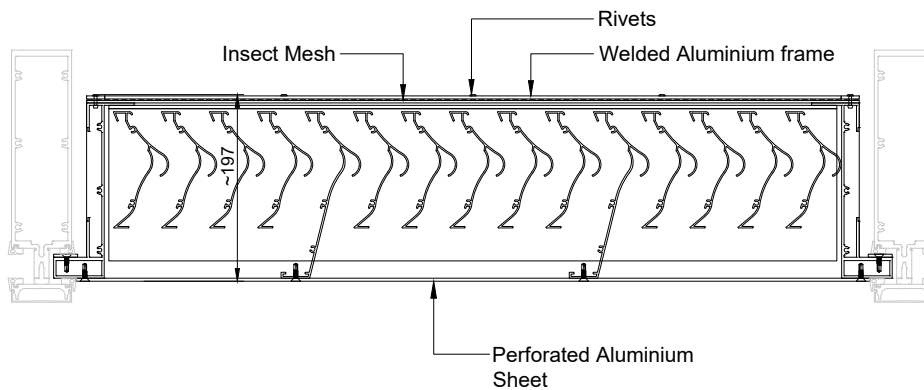


Fiberglass Mesh
Black PVC coated
(1:2 @A4)
LV-1008
72% Free Area



EXPLODED DETAIL

SECTION ON ELEVATION (1:8 @A4)



PLAN VIEW (1:8 @A4)

NOTE: Glazed-in louvres are supplied with Black Dowsil 791 Weatherproofing Silicone Sealant applied to seal all fixings and joints around the perimeter frame at the rear.

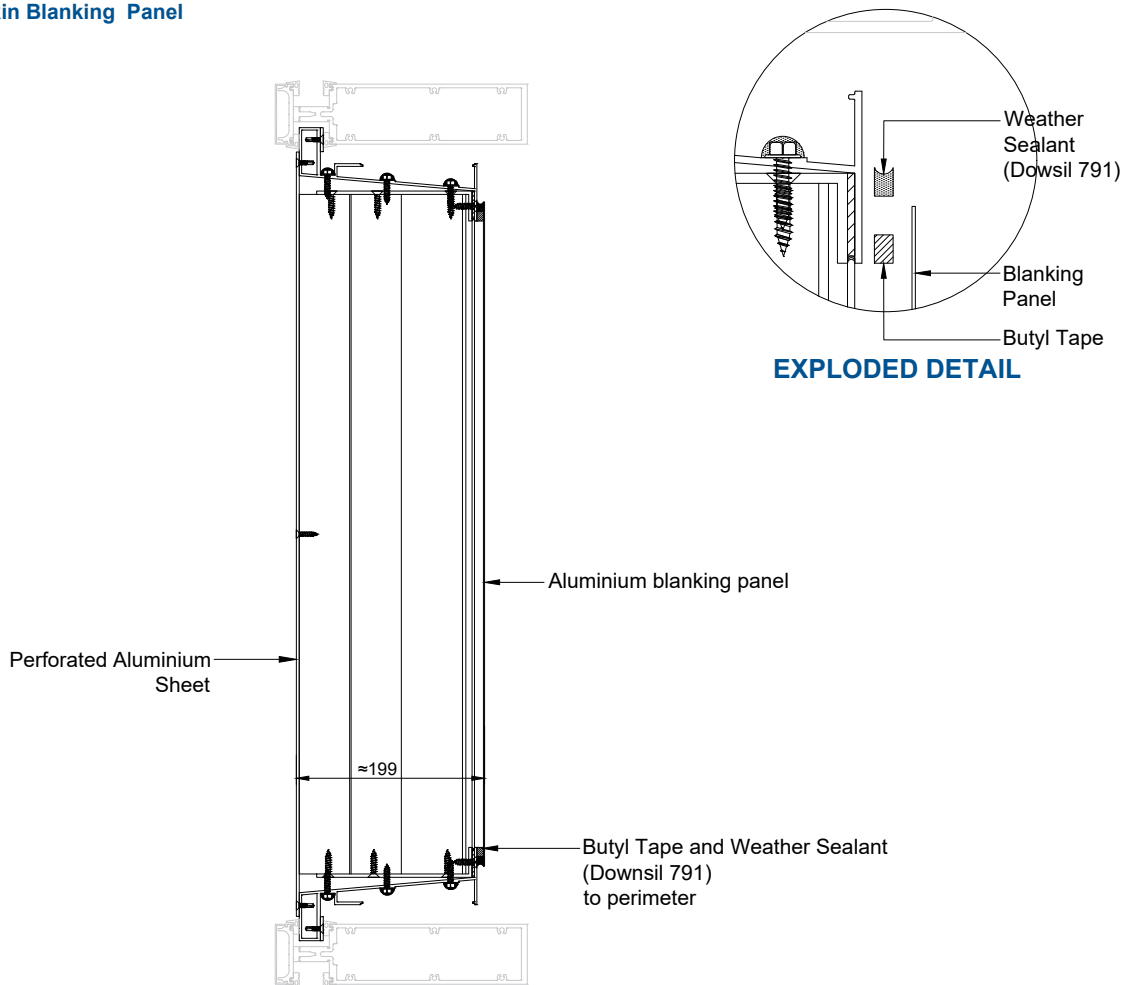
All dimensions in millimeters unless otherwise stated. Do not scale from the drawing.

Rain Defence Louvres

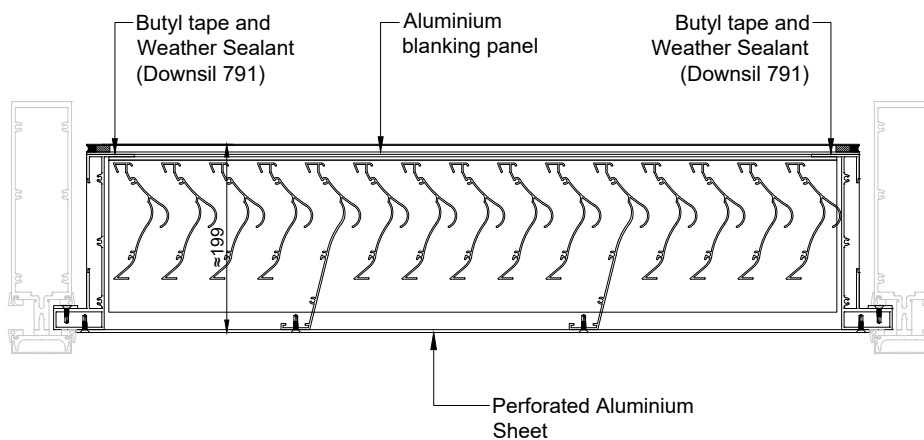
PL-5700 | Technical Datasheet

25MM GLAZED-IN DETAIL

With Single Skin Blanking Panel



SECTION ON ELEVATION (1:8 @A4)



NOTE: Glazed-in louvres are supplied with Black Dowsil 791 Weatherproofing Silicone Sealant applied to seal all fixings and joints around the perimeter frame at the rear.

All dimensions in millimeters unless otherwise stated. Do not scale from the drawing.

Rain Defence Louvres

PL-5700 | Technical Datasheet

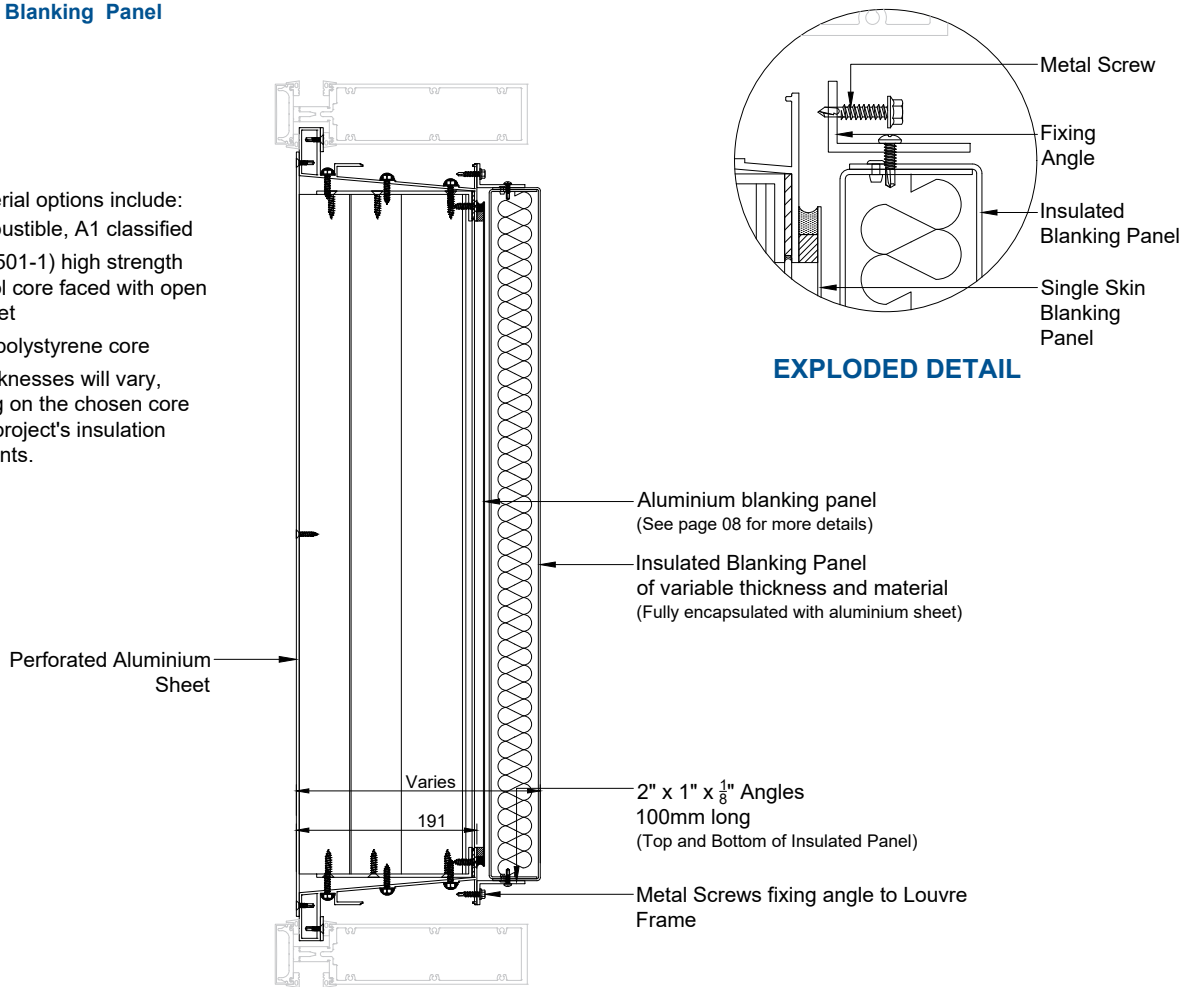
25MM GLAZED-IN DETAIL

With Insulated Blanking Panel

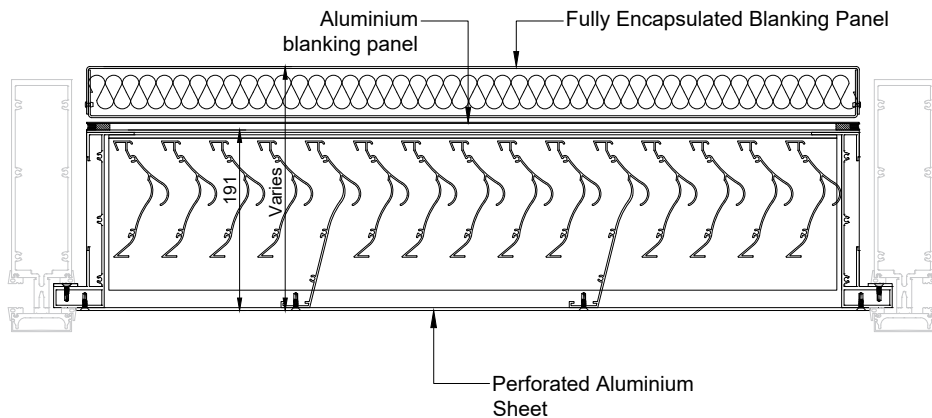
NOTE:

Insulation material options include:

- Non-combustible, A1 classified (to EN 13501-1) high strength stone wool core faced with open filament net
 - Extruded polystyrene core
- Panel thicknesses will vary, depending on the chosen core type and project's insulation requirements.



SECTION ON ELEVATION (1:8 @A4)



PLAN VIEW (1:8 @A4)

NOTE: Glazed-in louvres are supplied with Black Dowsil 791 Weatherproofing Silicone Sealant applied to seal all fixings and joints around the perimeter frame at the rear.

All dimensions in millimeters unless otherwise stated. Do not scale from the drawing.

Rain Defence Louvres

PL-5700 | Technical Datasheet

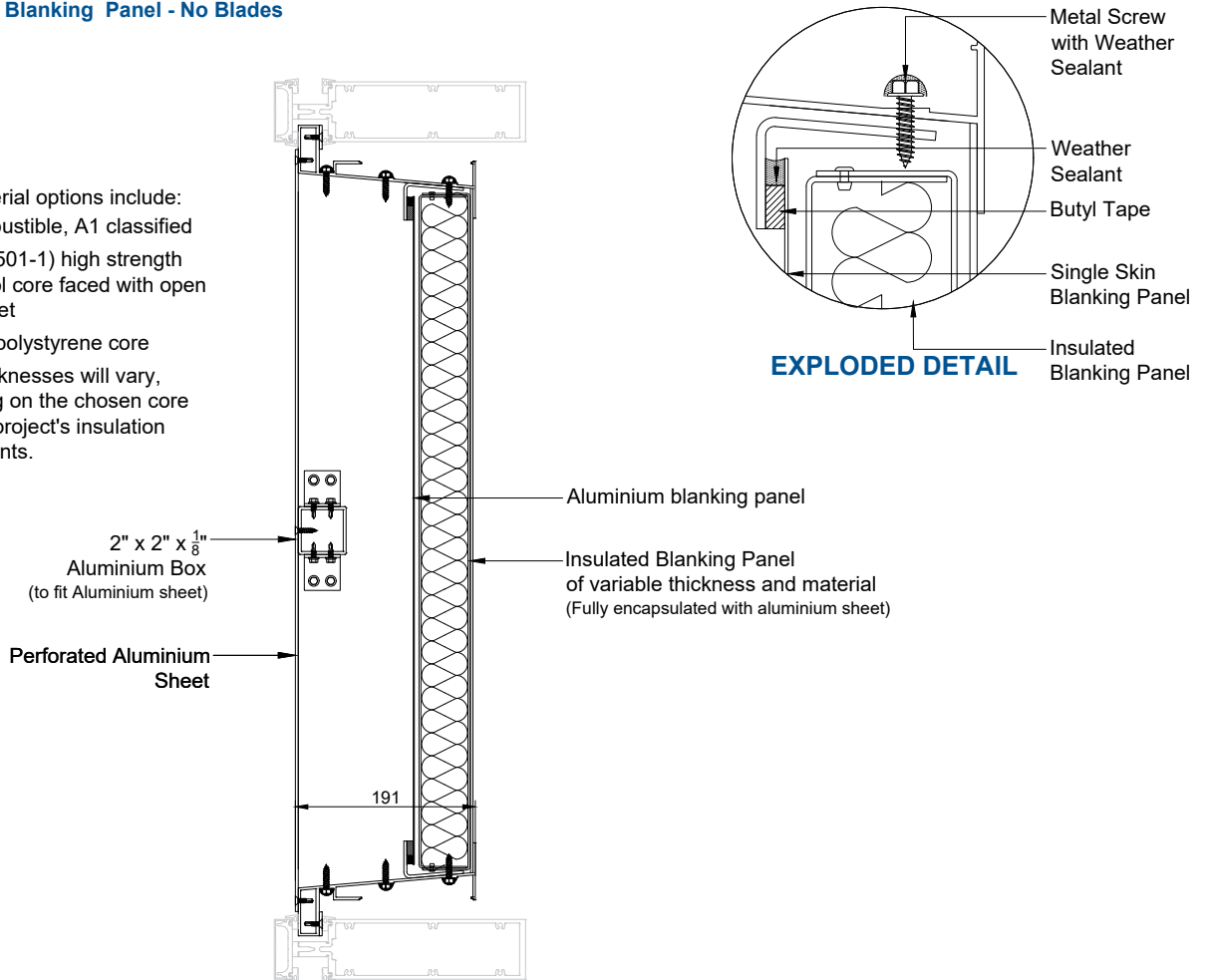
25MM GLAZED-IN DETAIL

With Insulated Blanking Panel - No Blades

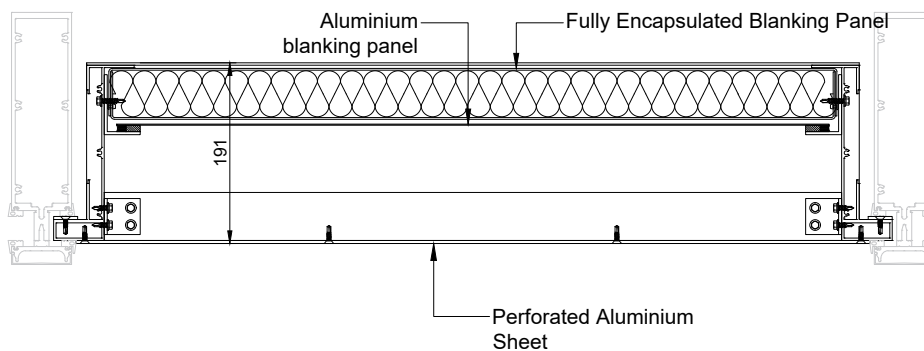
NOTE:

Insulation material options include:

- Non-combustible, A1 classified (to EN 13501-1) high strength stone wool core faced with open filament net
 - Extruded polystyrene core
- Panel thicknesses will vary, depending on the chosen core type and project's insulation requirements.



SECTION ON ELEVATION (1:8 @A4)



PLAN VIEW (1:8 @A4)

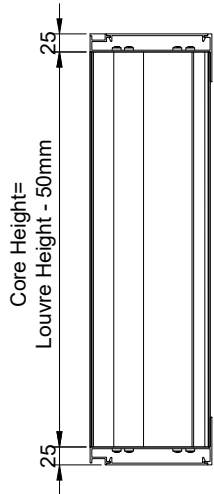
NOTE: Glazed-in louvres are supplied with Black Dowsil 791 Weatherproofing Silicone Sealant applied to seal all fixings and joints around the perimeter frame at the rear.

All dimensions in millimeters unless otherwise stated. Do not scale from the drawing.

Rain Defence Louvres

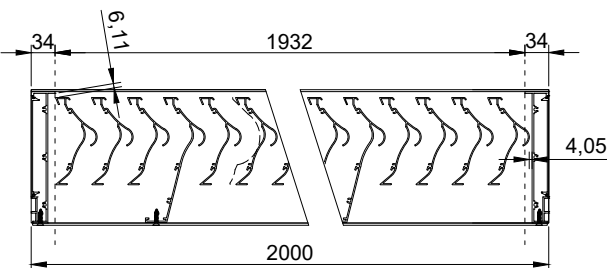
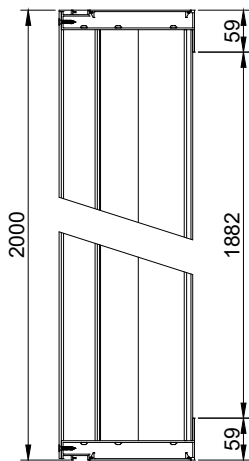
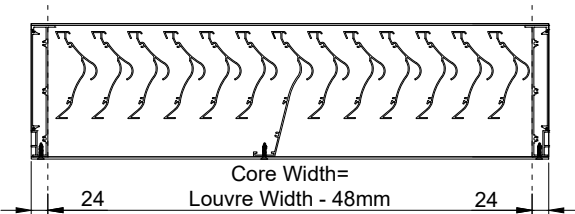
PL-5700 | Technical Datasheet

APPENDIX A - FREE AREA



Core Area

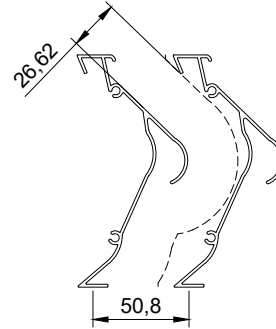
The louvre core area is product of the minimum height and minimum width of the front opening in the louvre assembly with the louvre blades removed (BS EN 13030)



Standard Perforated Aluminium

Sheet Free Area: 50.8%

Free Area Between Blades



The percentage free area between the blades is calculated by taking the narrowest gap between the blades and dividing it by the blade pitch.

$$26.62/50.8 = 52.4\%$$

Free Area

Total free area is determined by multiplying the sum of the minimum distance between intermediate blades, left blade and jamb, and right blade and jamb, by the minimum distance between head and cill.

Percentage free area is calculated by dividing the total free area by the overall louvre size.

Example based on 2m x 2m louvre

- No. of blades - 38
- A - No. of gaps between blades - 37
- B - Right gap - 4.05mm
- C - Blade gap - 26.62mm
- D - Left gap - 6.11mm
- E - Height between cill and head - 1882mm

Total Free Area

$$((B + (C \times A) + D) \times E)$$

$$((0.00405 + (0.02662 \times 37) + 0.00611) \times 1.882) = 1.873\text{m}^2$$

Percentage Free Area

$$1.873/4 = 46.8\%$$

Approximate Free Area

Total Free Area

Open at rear of louvre x percentage free area between blades

$$1.932 \times 1.882 \times 52.4\% = 1.905\text{m}^2$$

Percentage Free Area

$$1.905/4 = 47.6\%$$

All dimensions in millimeters unless otherwise stated. Do not scale from the drawing.