

Rain Defence Louvres

RS-5900 | Technical Datasheet

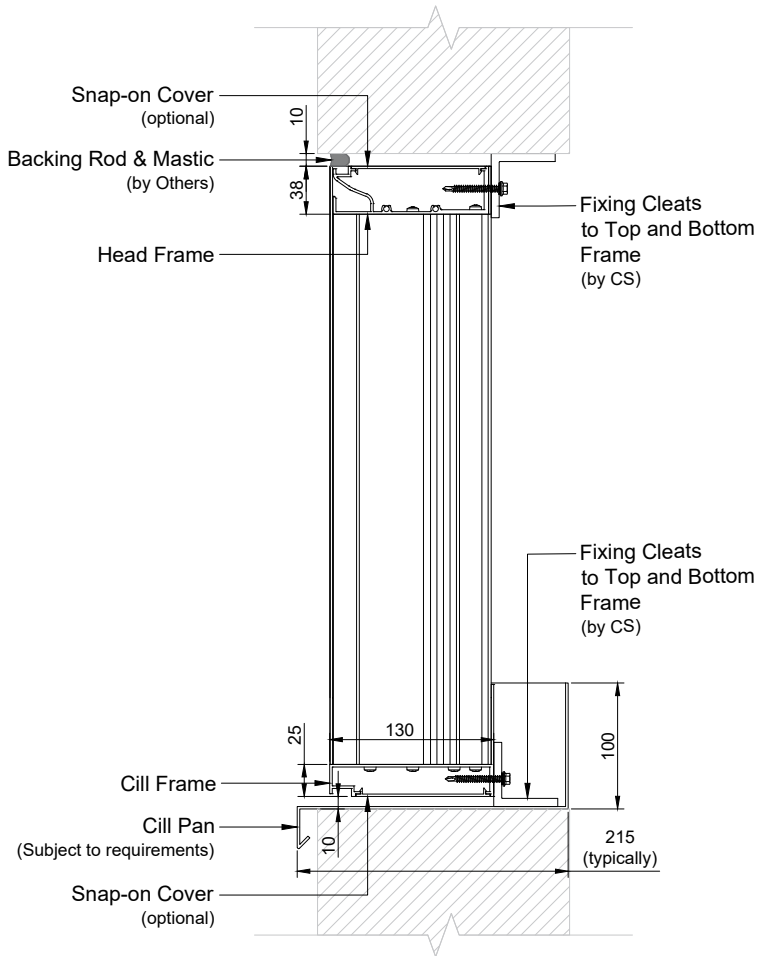


 www.c-sgroup.co.uk/19020

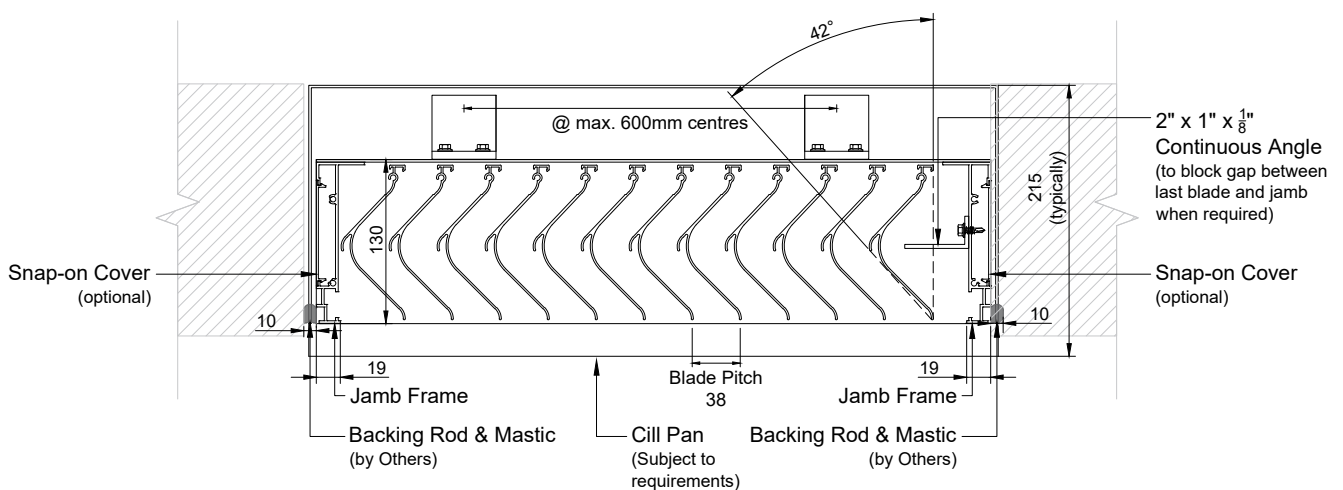
Rain Defence Louvres

RS-5900 | Technical Datasheet


STANDARD DETAIL



SECTION ON ELEVATION (1:6 @A4)



PLAN VIEW (1:6 @A4)

 www.c-sgroup.co.uk/19020

All dimensions in millimeters unless otherwise stated. Do not scale from the drawing.

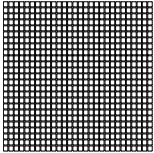
Rain Defence Louvres

RS-5900 | Technical Datasheet

STANDARD DETAIL

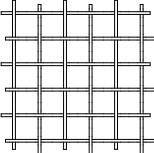
With Insect Mesh or Bird Guard

INSECT MESH

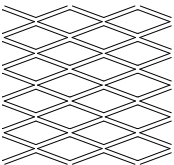


Fiberglass Mesh
Black PVC coated
(1:2 @A4)
LV-1008
72% Free Area

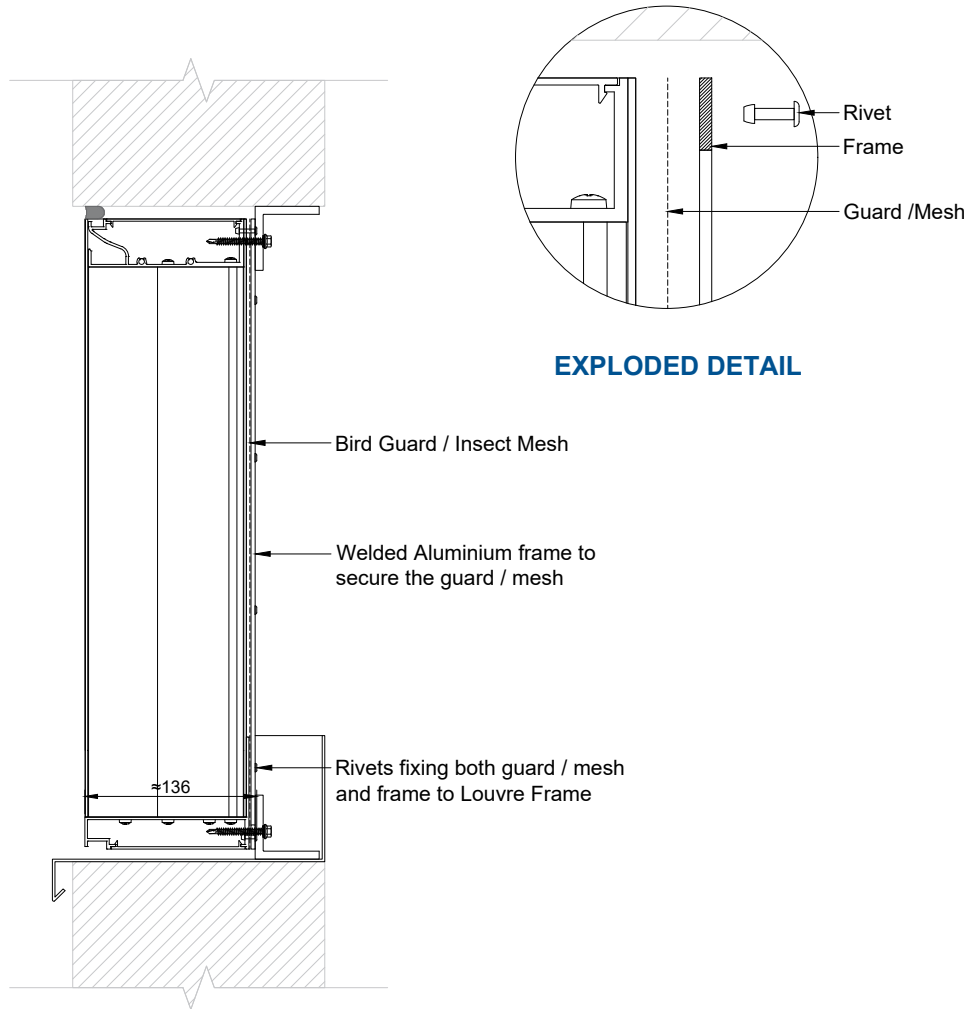
BIRD / VERMIN GUARDS



Galvanized Welded Mesh - (Standard)
(1:4 @A4)
LV-1408
85% Free Area

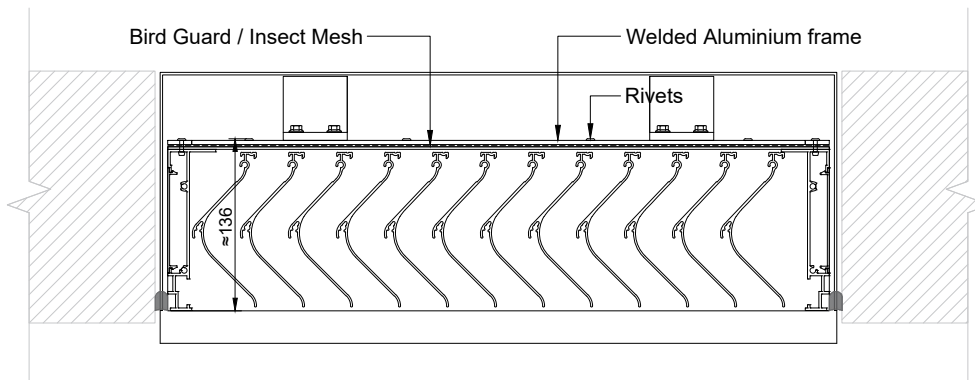


Flattened Aluminium
38-85AF - (Option)
(1:4 @A4)
LV-0158
73% Free Area



EXPLODED DETAIL

SECTION ON ELEVATION (1:6 @A4)



PLAN VIEW (1:6 @A4)

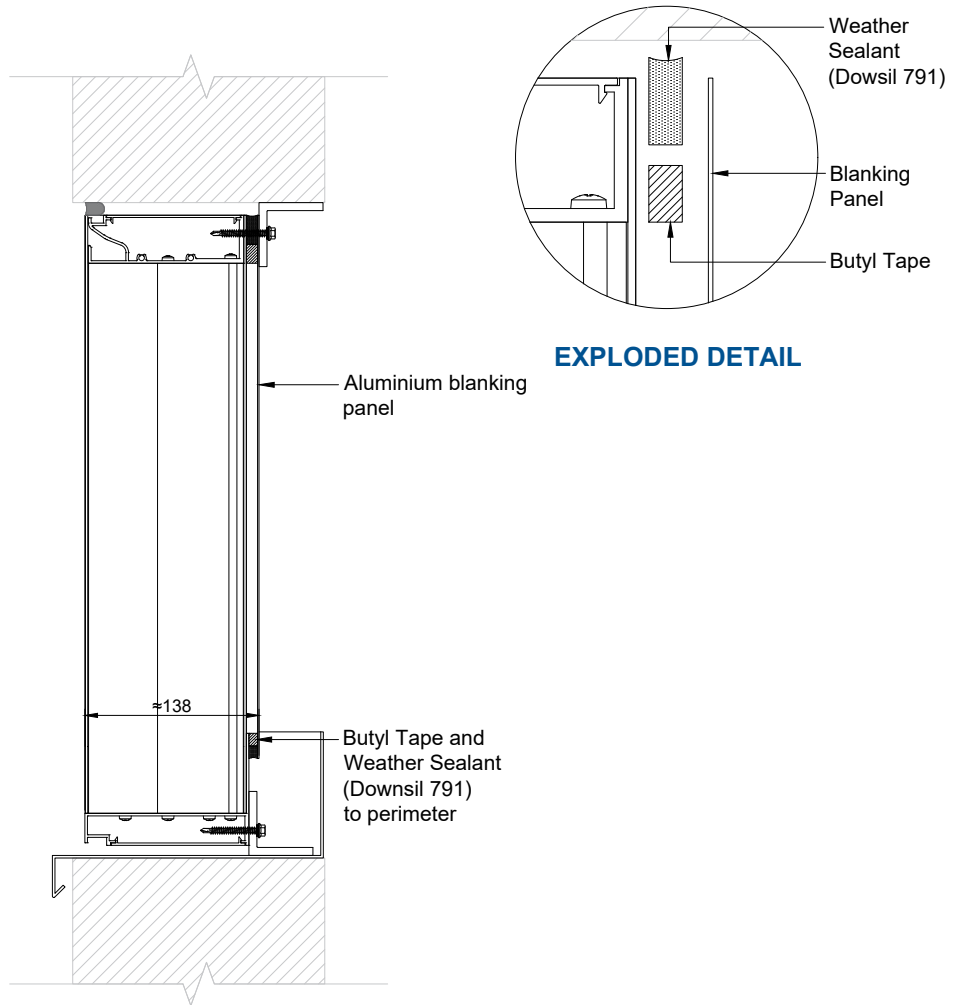
All dimensions in millimeters unless otherwise stated. Do not scale from the drawing.

Rain Defence Louvres

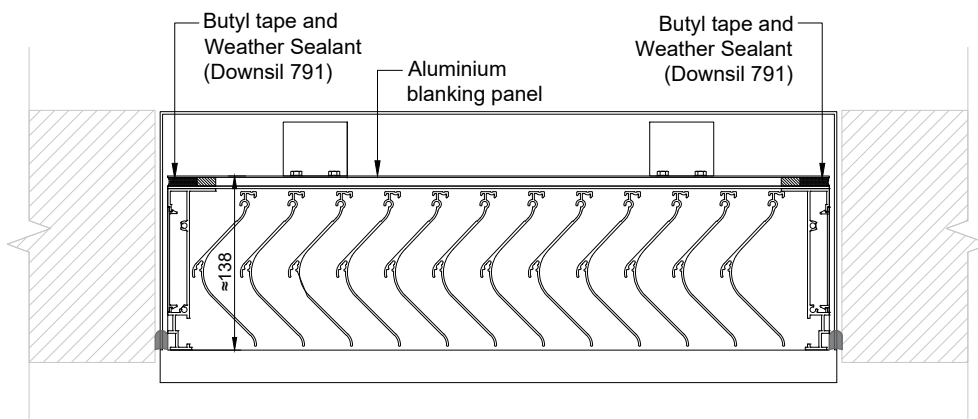
RS-5900 | Technical Datasheet

STANDARD DETAIL

With Single Skin Blanking Panel



SECTION ON ELEVATION (1:6 @A4)



PLAN VIEW (1:6 @A4)

All dimensions in millimeters unless otherwise stated. Do not scale from the drawing.

Rain Defence Louvres

RS-5900 | Technical Datasheet

STANDARD DETAIL

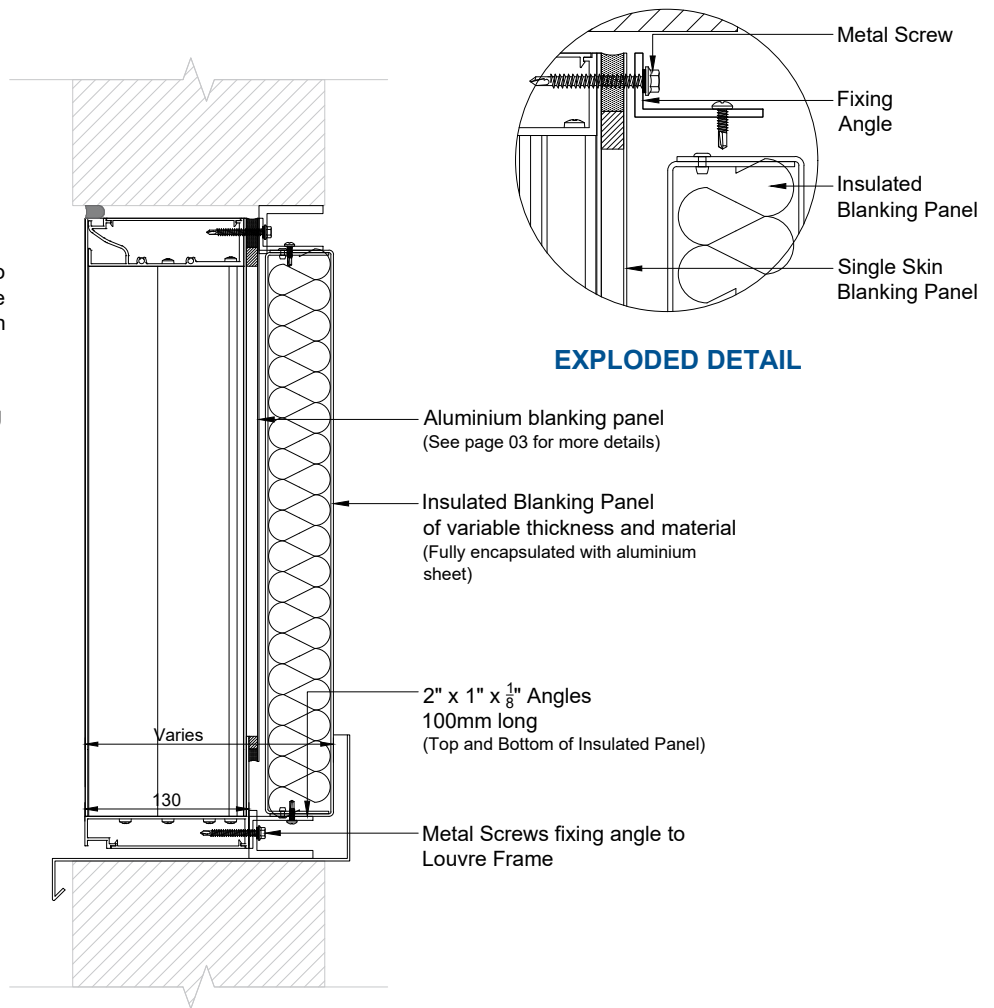
With Insulated Blanking Panel

NOTE:

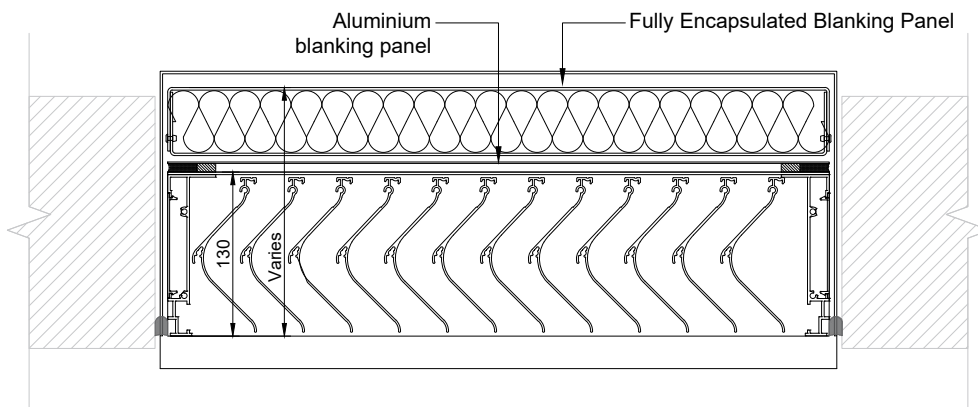
Insulation material options include:

- Non-combustible, A1 classified (to EN 13501-1) high strength stone wool core faced with open filament net
- Extruded polystyrene core

Panel thicknesses will vary, depending on the chosen core type and project's insulation requirements.



SECTION ON ELEVATION (1:6 @A4)



PLAN VIEW (1:6 @A4)

All dimensions in millimeters unless otherwise stated. Do not scale from the drawing.

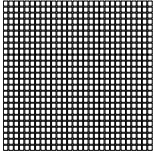
Rain Defence Louvres

RS-5900 | Technical Datasheet

STANDARD DETAIL

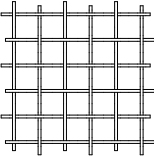
With Insect Mesh or Bird Guard

INSECT MESH

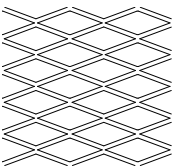


Fiberglass Mesh
Black PVC coated
(1:2 @A4)
LV-1008
72% Free Area

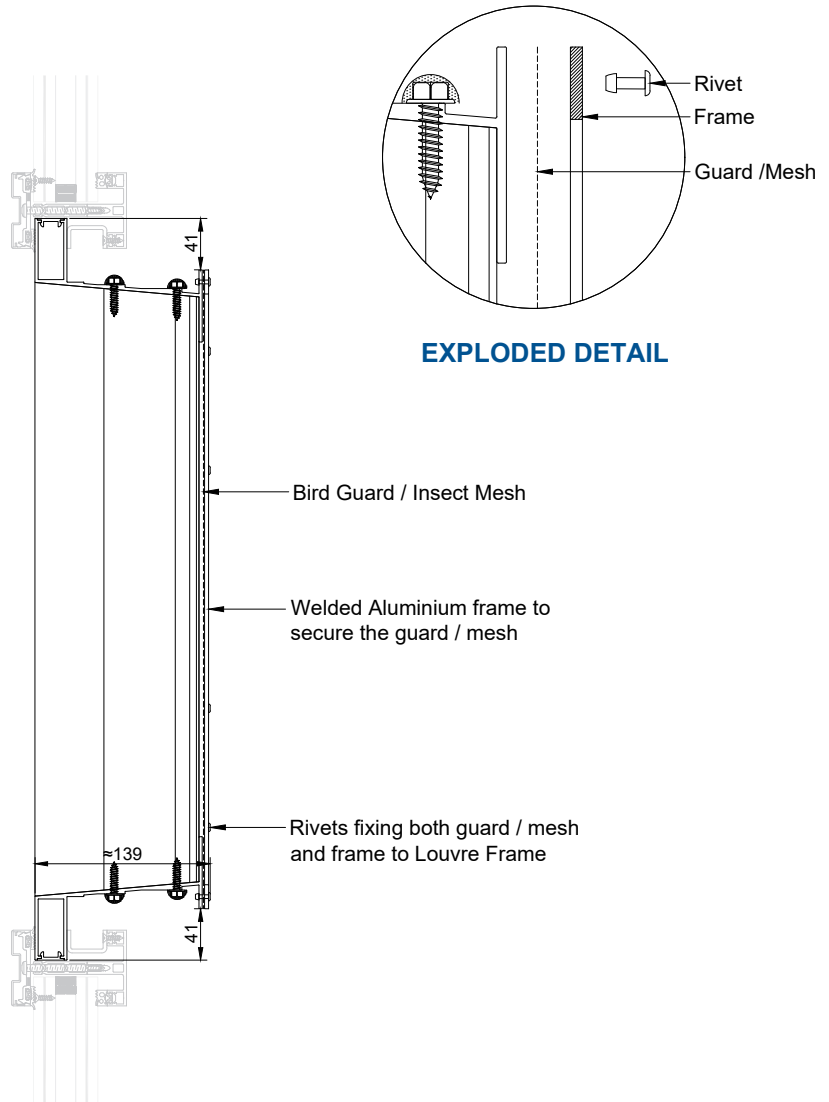
BIRD / VERMIN GUARDS



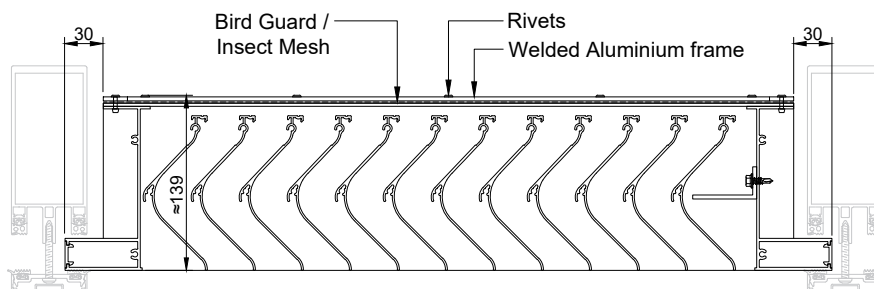
Galvanized Welded Mesh - (Standard)
(1:4 @A4)
LV-1408
85% Free Area



Flattened Aluminium
38-85AF - (Option)
(1:4 @A4)
LV-0158
73% Free Area



SECTION ON ELEVATION (1:6 @A4)



PLAN VIEW (1:6 @A4)

NOTE: Glazed-in louvres are supplied with Black Dowsil 791 Weatherproofing Silicone Sealant applied to seal all fixings and joints around the perimeter frame at the rear.

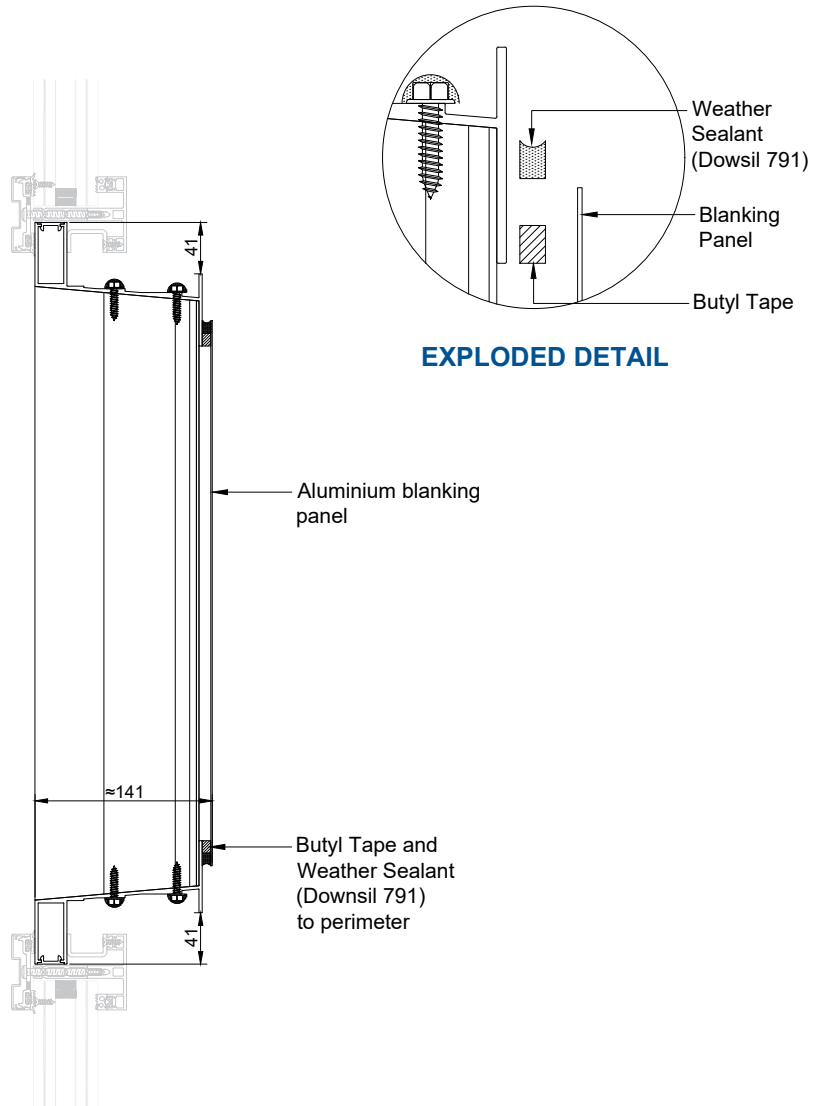
All dimensions in millimeters unless otherwise stated. Do not scale from the drawing.

Rain Defence Louvres

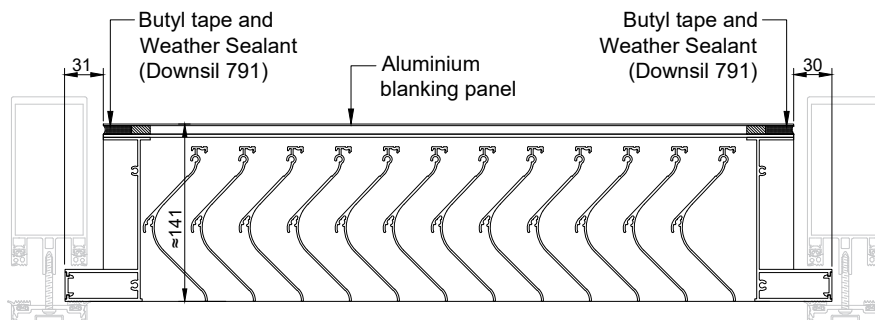
RS-5900 | Technical Datasheet

25MM GLAZED-IN DETAIL

With Single Skin Blanking Panel



SECTION ON ELEVATION (1:6 @A4)



PLAN VIEW (1:6 @A4)

NOTE: Glazed-in louvres are supplied with Black Dowsil 791 Weatherproofing Silicone Sealant applied to seal all fixings and joints around the perimeter frame at the rear.

All dimensions in millimeters unless otherwise stated. Do not scale from the drawing.

Rain Defence Louvres

RS-5900 | Technical Datasheet

25MM GLAZED-IN DETAIL

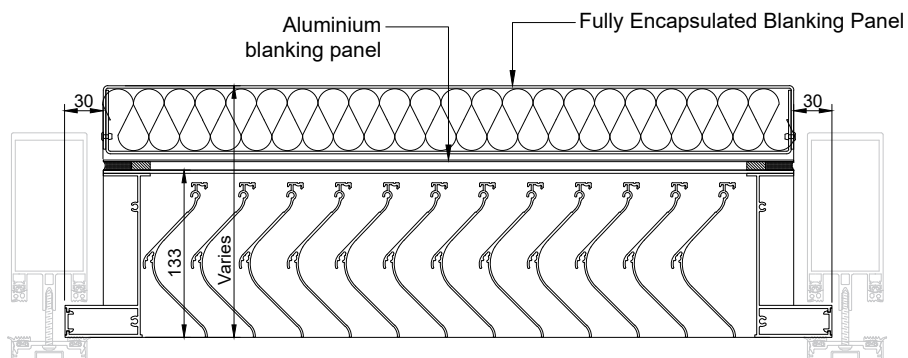
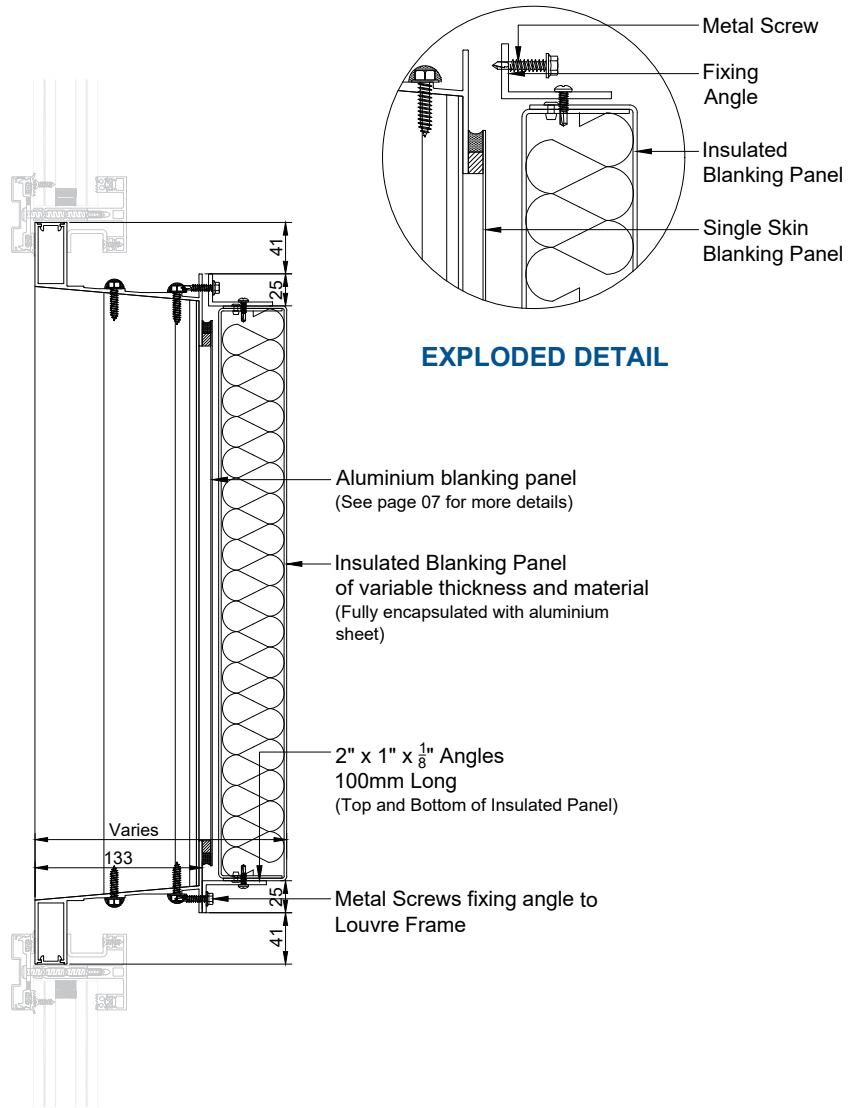
With Insulated Blanking Panel

NOTE:

Insulation material options include:

- Non-combustible, A1 classified (to EN 13501-1) high strength stone wool core faced with open filament net
- Extruded polystyrene core

Panel thicknesses will vary, depending on the chosen core type and project's insulation requirements.



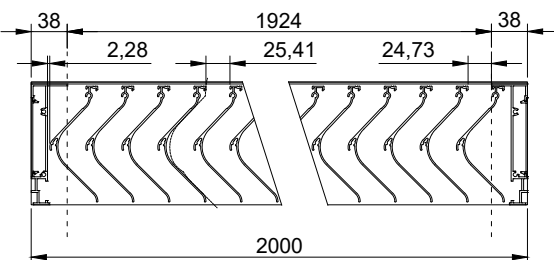
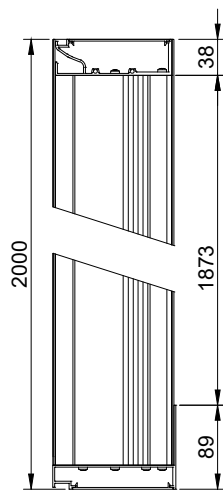
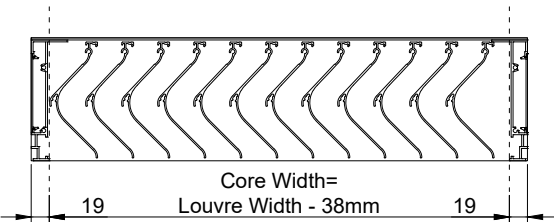
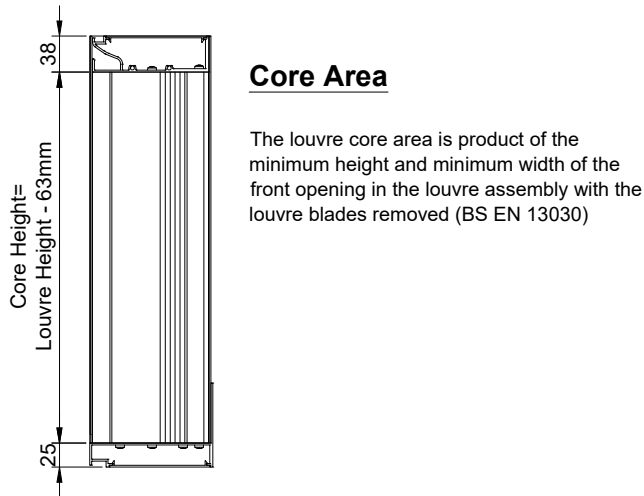
NOTE: Glazed-in louvres are supplied with Black Dowsil 791 Weatherproofing Silicone Sealant applied to seal all fixings and joints around the perimeter frame at the rear.

All dimensions in millimeters unless otherwise stated. Do not scale from the drawing.

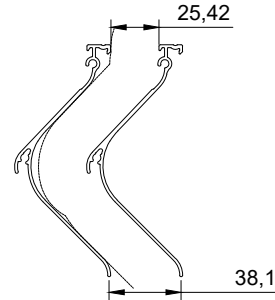
Rain Defence Louvres

RS-5900 | Technical Datasheet

APPENDIX A - FREE AREA



Free Area Between Blades



The percentage free area between the blades is calculated by taking the narrowest gap between the blades and dividing it by the blade pitch.

$$25.42/38.1 = 66.7\%$$

Free Area

Total free area is determined by multiplying the sum of the minimum distance between intermediate blades, first blade and jamb, and last blade and jamb, by the minimum distance between head and cill.

Percentage free area is calculated by dividing the total free area by the overall louvre size.

Example based on 2m x 2m louvre

- No. of blades - 51
- A - No. of unobstructed gaps between blades - 49
- B - First gap - 2.28mm
- C - Blade gap - 25.41mm
- D - Last gap - 24.73mm
- E - Height between head and cill - 1873mm

Total Free Area

$$((B + (C \times A) + D) \times E)$$

$$((0.00228 + (0.02541 \times 49) + 0.02473) \times 1.873) = 2.383\text{m}^2$$

Percentage Free Area

$$2.383/4 = 59.6\%$$

Approximate Free Area

Total Free Area

Opening at rear of louvre x percentage free area between blades

$$1.873 \times 1.924 \times 66.7\% = 2.404\text{m}^2$$

Percentage Free Area

$$2.404/4 = 60.1\%$$

All dimensions in millimeters unless otherwise stated. Do not scale from the drawing.